



# Lab Master LGM5020 Series

5.0 Purity Two Stage Nickel Plated Brass Barstock Diaphragm Manual Change Gas Control Panel



The Lab Master LGM5020 Series two stage single cylinder manual change control panels are designed for primary pressure gas control of non-corrosive or toxic, high purity gases up to grade 5.0 purity (99.999%), on gas distribution systems where constant delivery pressure is required.

■ **LGM5021 Series** | Two Stage Single Cylinder Diaphragm Manual Gas Change Control Panel, FKM Seal, FKM Pressure Relief Valve

■ **LGM5022 Series** | Two Stage Single Cylinder Diaphragm Manual Gas Change Control Panel, EPDM Seal, EPDM Pressure Relief Valve

## ★ FEATURES

- High pressure isolation valves
- High pressure purge facility
- Two stage pressure regulation
- Process line isolation valve
- Encapsulated valve design
- Single cylinder configuration

## 🔧 MATERIAL

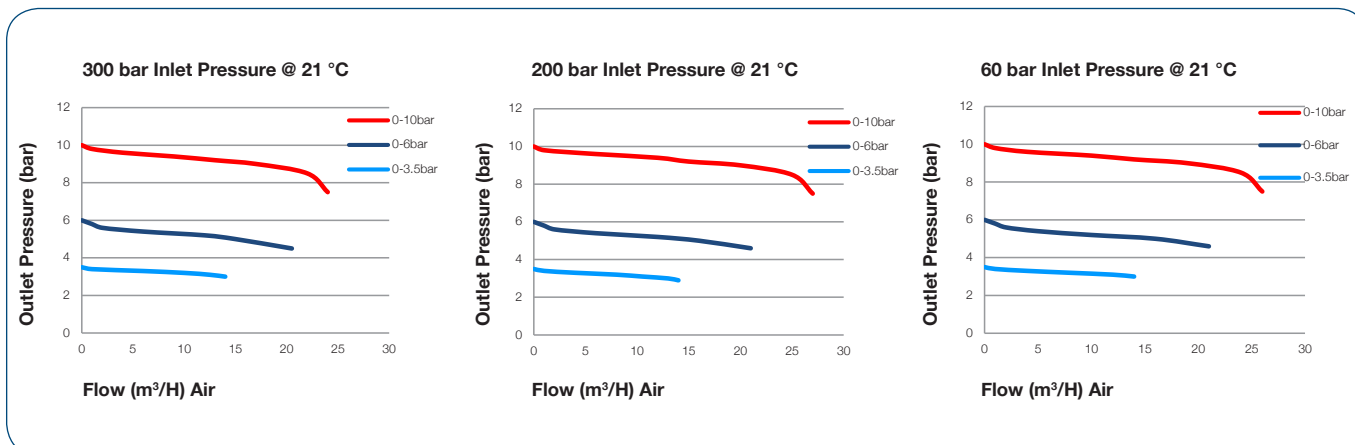
■ Body	Nickel Plated Brass Barstock
■ Bonnet	High Strength Alloy
■ Diaphragm	Polychloroprene (Neoprene®) (CR)
■ Bonnet Seal	PTFE
■ Seal Option	FKM / EPDM
■ Valve Seat	Polyamide (Nylon®)
■ Filter	10 Micron 316L Stainless Steel

## 👍 SPECIFICATION

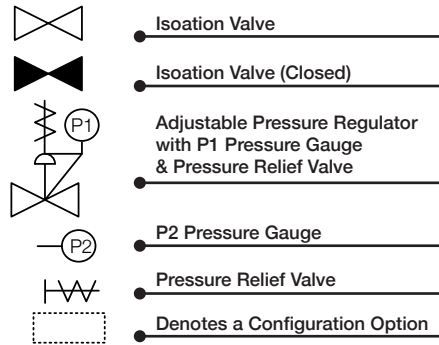
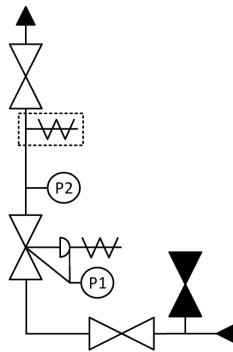
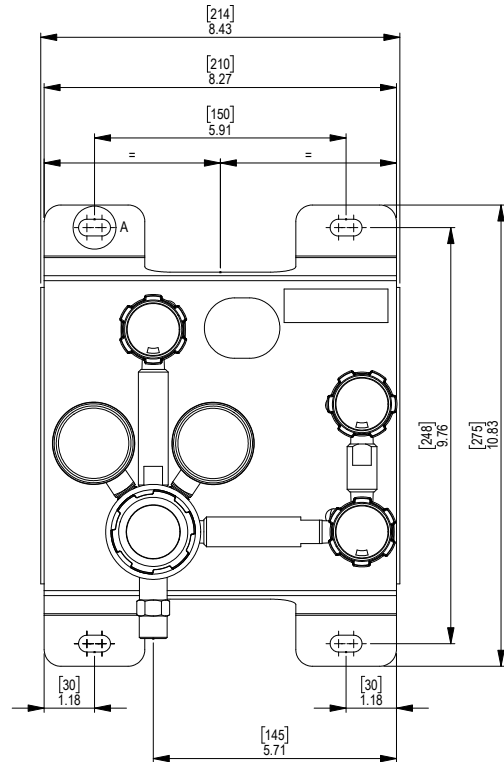
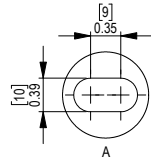
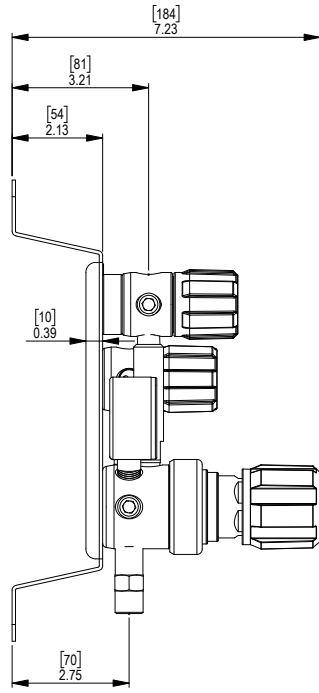
■ Maximum Inlet Pressure	15 bar (220 PSI) 60 bar (870 PSI) 300 bar (4350 PSI) *
■ Delivery Pressure Range	3.5 bar (50PSI) 6.0 bar (90PSI) 10 bar (150 PSI)
■ Gauges	50mm (2") Diameter
■ Ports	1/4" NPT Female
■ Temperature Range	-20° C to +60° C (-4° F to +140° F)
■ Flow Coefficient (Cv)	0.078
■ Weight	4.5 kg (9.9 lbs) ****

\* Subject to cylinder connection – \*\*\*\* Subject to final configuration

## ✓ FLOW PERFORMANCE



# DRAWINGS



## MODEL NO. SELECTOR GUIDE

Example for a Model No. for LGM5020 Series

LGM5021- 02- 03- 00- 00- 000- 00- A

Product Type	Inlet Pressure Bar [PSI]	Outlet Pressure Bar [PSI]	Inlet Pressure Gauge	Outlet Pressure Gauge	Inlet/Cylinder Connection	Outlet Connection	Options
LGM5011	02 60 [870]	03 0 to 3.5 [50]	00 No Gauge Fitted	00 No Gauge Fitted	000 1/4 NPT Female	00 1/4 NPT Female	A No Options Selected
LGM5022	04 300 [4350]	04 0 to 6 [90]	01 bar/PSI	01 bar/PSI	001 1/8 Stainless Steel Compression	01 1/8 Stainless Steel Compression	K Certificate of Conformity
	06 15 [220]	05 0 to 10 [150]	02 bar/PSI Contact Gauge		002 1/4 Stainless Steel Compression	02 1/4 Stainless Steel Compression	M CO2 Burst Disc
					003 6mm Stainless Steel Compression	03 6mm Stainless Steel Compression	P Calibration/ Pressure Test Certificate
					004 1/4 NPT Male	04 1/4 NPT Male	R Fitted Pipeline Pressure Relief Valve, FKM Seal
					007 G3/8 BSP R/H Brass Male	06 G1/2 BSP R/H, Brass, Male	S Fitted Pipeline Pressure Relief Valve, EPDM Seal
					008 G3/8 BSP L/H Brass Male	07 G3/8 BSP R/H, Brass, Male	X Special Instruction
						08 G3/8 BSP L/H, Brass, Male	