

SPEC MASTER HPU6000 SERIES

6.0 Purity Nickel Plated Brass Barstock Diaphragm Integrated Outlet Point

The Spec Master HPU6000 series diaphragm integrated outlet points are designed for secondary pressure gas control of non-corrosive or toxic, high purity gases up to grade 6.0 purity (99.9999%), on gas distribution systems.

- **HPU6001 Series** | Wall Mounting Integrated Outlet Point, FKM Seal
- **HPU6002 Series** | Wall Mounting Integrated Outlet Point, EPDM Seal
- **HPU6011 Series** | Bench Mounting Integrated Outlet Point, FKM Seal
- **HPU6012 Series** | Bench Mounting Integrated Outlet Point, EPDM Seal



★ FEATURES

- Multi-port configuration
- Isolation valve
- Single stage pressure regulation
- Encapsulated seat design
- Full range of inlet and outlet fittings
- Wall and bench mounting

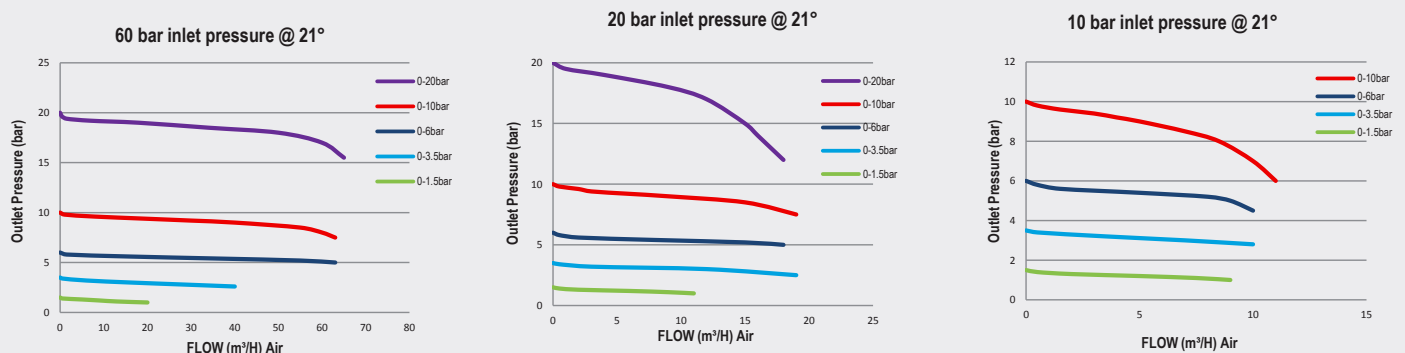
📄 MATERIALS

Body	Nickel Plated Brass Barstock
Bonnet	Nickel Plated Brass Barstock
Diaphragm	316L Stainless Steel
Seal	PTFE
Seat	PCTFE
Filter	10 Micron 316L Stainless Steel

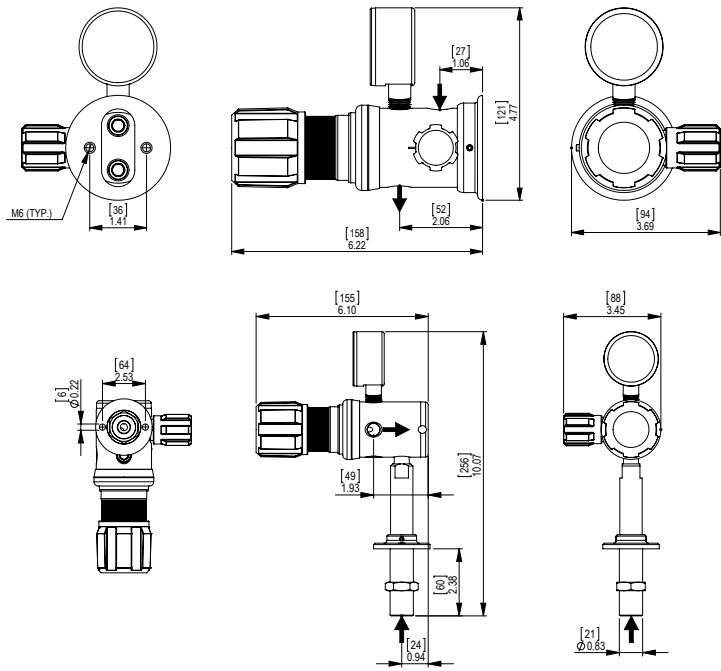
👍 SPECIFICATION

Maximum Inlet Pressure	60 bar (870 PSI)
Delivery Pressure Range	1.5 bar (22 PSI) / 3.5 bar (50 PSI) / 6 bar (90 PSI) / 10 bar (150 PSI) / 20 bar (300 PSI)
Gauges	50mm (2") Diameter
Ports	1/4" NPT Female
Temperature Range	-20° C to +60° C (-4° F to +140° F)
Flow Coefficient (Cv)	0.1
Helium leak Integrity	1 x 10 ⁻⁹ mbar l/s
Weight	2.05 kg (5.52 lbs)

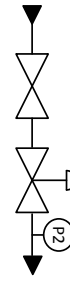
✓ FLOW PERFORMANCE



DIMENSIONS



PROCESS & INSTRUMENTATION



 - Isolation Valve

 - Adjustable Pressure Regulator with P2 Pressure Gauge

Model No. Selector Guide

Product Type	Inlet Pressure	Outlet Pressure	Inlet Pressure Gauge	Outlet Pressure Gauge	Inlet/Cylinder Connection	Outlet Connection	Options
HPU6001	02 60 bar / 870 PSI	02 -1 - 1.5 bar / 22 PSIG	00 No Gauge Fitted	00 No Gauge Fitted	000 No Inlet Fitted	00 No Outlet Fitted	A No Options Selected
HPU6002		03 -1 - 3.5 bar / 50 PSIG		01 bar/PSI	001 1/8 Stainless Steel Compression	01 1/8 Stainless Steel Compression	F Bonnet Vent Capture Kit
HPU6011		04 -1 - 6 bar / 90 PSIG			002 1/4 Stainless Steel Compression	02 1/4 Stainless Steel Compression	G Helium Test Certificate
HPU6012		05 -1 - 10 bar / 150 PSIG			003 6mm Stainless Steel Compression	03 6mm Stainless Steel Compression	K Certificate of Conformity
		07 -1 - 20 bar / 300 PSIG			004 1/4 NPT Male	04 1/4 NPT Male	P Calibration/ Pressure Test Certificate
					007 G3/8 BSP R/H Brass Male	07 G3/8 BSP L/H Brass Male	X Special Instruction
					008 G3/8 BSP L/H Brass Male	08 G3/8 BSP L/H Brass Male	